

Welcome to Teensy 3.1

<http://www.pjrc.com/teensy>

Port Pins

Digital Pins

digitalRead
digitalWrite
pinMode

Analog Pins

analogRead
analogReference
analogReadRes

PWM Pins

analogWrite
analogWriteRes

Touch Sense Pins

touchRead

Serial Ports

Serial1
Serial2
Serial3

I²C Port

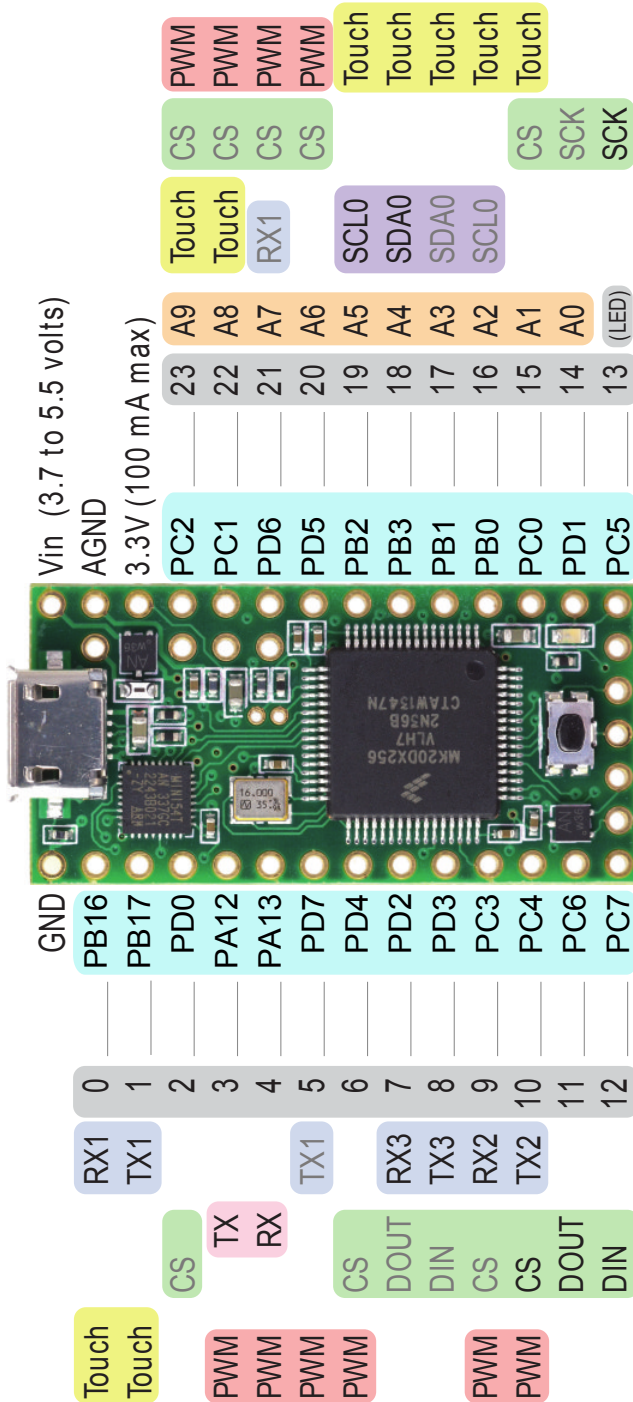
Wire Library

SPI Port

SPI Library

CAN Bus

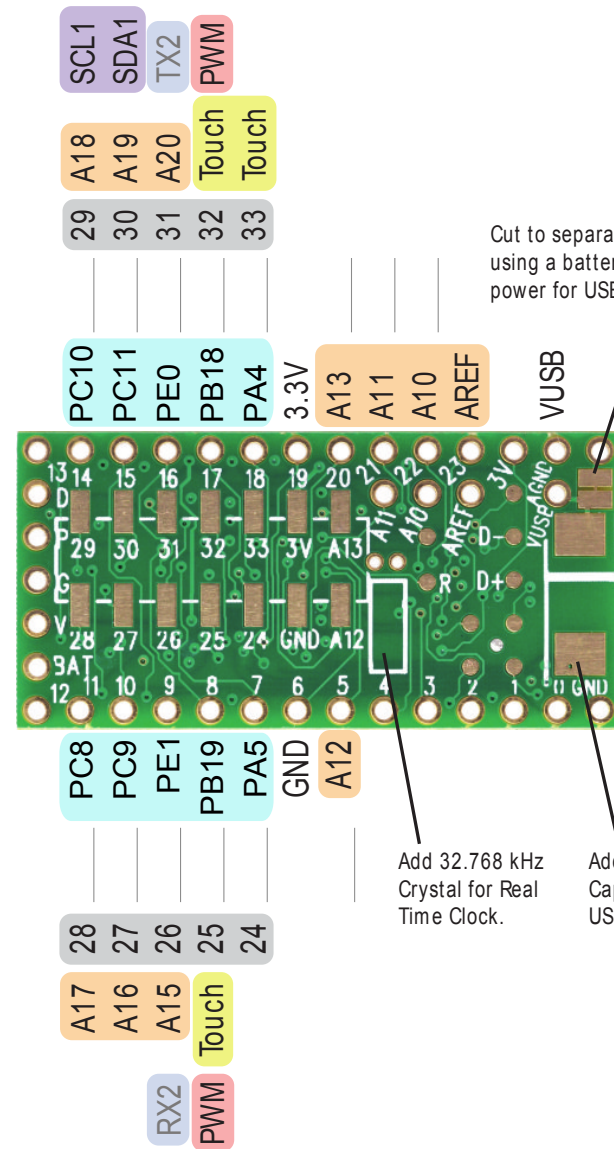
User Pins



A14/DAC
Program
GND
3.3V
VBat

Use 3V coin cell for Real Time Clock.

All digital pins have Interrupt capability.



Cut to separate VIN from VUSB, if using a battery charger or external power for USB Device mode.

Add 32.768 kHz Crystal for Real Time Clock.

Add 150 μ F Capacitor for USB Host mode.

To begin using Teensy, please visit the website & click [Getting Started](#).